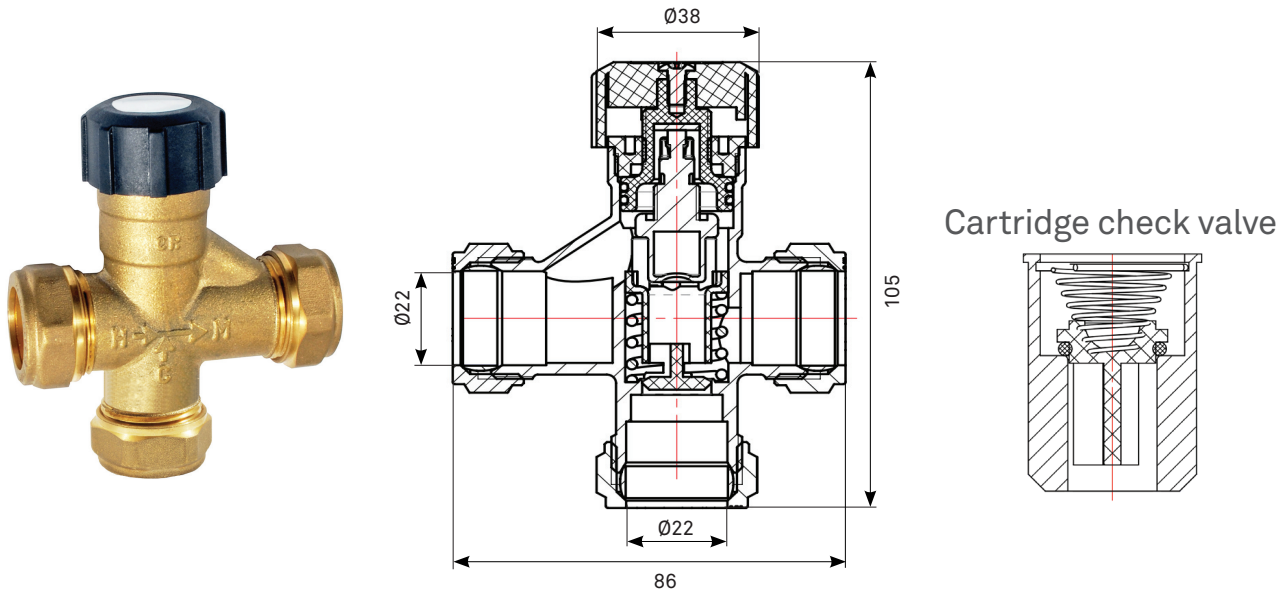


Termoventiler MV

Mixing valve for tap warm water



The Termoventiler MV is a mixing valve for mixing tap warm water.

Description

Mixing valve with three connections.

Field of application

Mixing tap warm water. Control range 35–65°C.

Construction

Valve in dezincification resistant brass. With three compression fittings CU22 and cartridge check valve.

Pressure and temperature

Maximum working pressure: 10 bar
Maximum working temperature: +90°C
Minimum working temperature: +2°C

Marking

CR, arrows showing inlet warm, inlet cold and outlet mixed water. Manufacturer's logotype and temperature control on cap.

Maintenance

Mixing valves are normally free of maintenance, but should be inspected periodically.

Installation

Nuts are tightened with spanner or wrench, in accordance with local regulations. Compression fitting for soft or hard copper pipes, thin-walled steel pipes, chrome copper pipes or PEX pipes. Support sleeve necessary for all types of pipes except hard copper pipes. In case of installation other than image above, compression fitting is used on the tube end of the mixing valve.

Material specification

Body	Dezincification resistant brass
Spring	Stainless steel
O-ring	EPDM
Nut	Dezincification resistant brass
Compression ring	Brass
Sensor body	Copper
Support	Plastic
Cap	Plastic